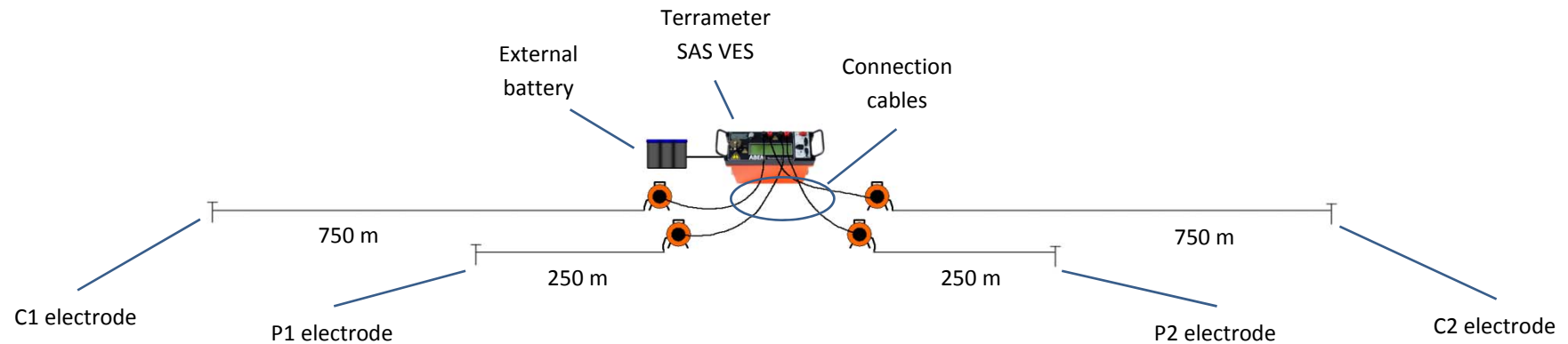


ABEM

Terrameter SAS - VES system description



System layout description

The VES cable kit connects to the C1/C2 and P1/P2 banana connectors on the front panel of the Terrameter SAS and consists of single conductor wires on reels. If necessary, several cables are possible to interconnect and extend to their maximum length for fast and efficient field surveys. System operates with common stainless steel electrodes as well as non-polarizable electrodes (for potential measuring).

Standard cable kit permits Vertical Electric Soundings down to a depth of approximately 300 m depending on geological conditions with a common Wenner or Schlumberger protocol.

ABEM

Operator friendly

ABEM Terrameter SAS utilizes a 200 x 64 pixels LCD display and navigation knobs which allows for easy operation of the system. The operator is instructed of spread movements and measured data is displayed.

Data collection

ABEM Terrameter SAS has the ability to measure Resistivity and Induced Polarization (IP) as well as Self Potential (SP), making the ABEM Terrameter SAS a highly competent and flexible solution for near surface investigations.

All measured data is stored into a database which allows for export to e.g. I1XD or other suitable programs for interpretation and analysis.

Constant current transmitter and galvanically isolated inputs

ABEM Terrameter SAS incorporates a constant current transmitter and galvanically isolated input channels, which samples data with high resolution.

Expansion of system

The ABEM Terrameter SAS can easily be upgraded to an ERT imaging system by adding an external relay switch, ES 10-64C. A Borehole log option is also available which truly makes the ABEM Terrameter SAS a competent multitasker.

